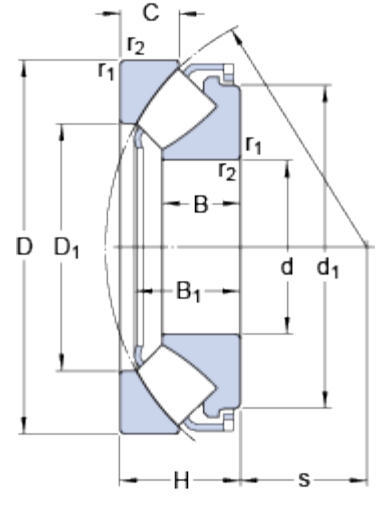




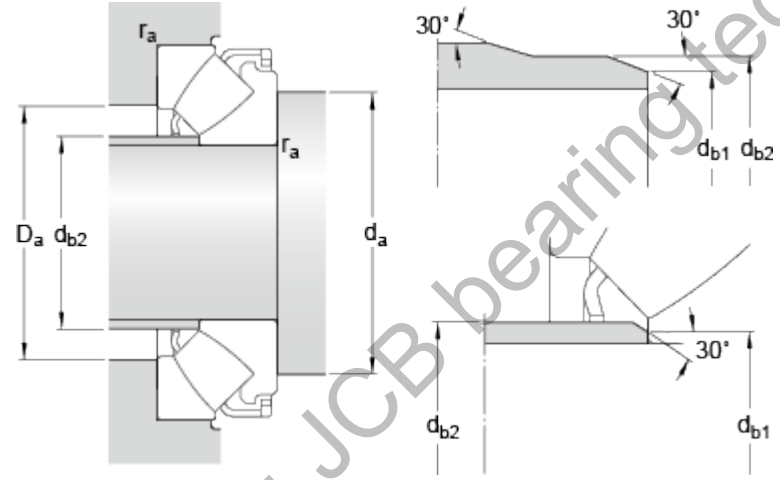
# 29340

## Dimensions



d	200	mm
D	340	mm
H	85	mm
d <sub>1</sub>	≈ 304	mm
D <sub>1</sub>	≈ 257	mm
B	53.5	mm
B <sub>1</sub>	76.7	mm
C	40	mm
s	116	mm
r <sub>1,2</sub>	min. 4	mm

## Abutment dimensions



d <sub>a</sub>	min. 265	mm
d <sub>b1</sub>	max. 211	mm
d <sub>b2</sub>	max. 224	mm
D <sub>a</sub>	max. 297	mm
r <sub>a</sub>	max. 3	mm

## Calculation data

Basic dynamic load rating	C	1860	kN
Basic static load rating	C <sub>0</sub>	5500	kN
Fatigue load limit	P <sub>u</sub>	550	kN
Reference speed		1000	r/min
Limiting speed		1700	r/min
Minimum axial load factor	A	2.9	

## Mass

Mass bearing	28.4	kg
--------------	------	----